

CARDY 2 Chip Card Writer/Reader



- **Attractively priced, easy-to-handle data writer/reader for use in rugged industrial environments**
- **Easy handling of chip card designed for touchless writing/reading**
- **High degree of protection, no deterioration through dust or grime**
- **High data safety**

Application

The CARDY system is designed for safe storage and reading of up to 184 data bytes on a chip card. In weighing and loading applications, the card is used to identify the customer upon plant entrance and in subsequent process steps, and to transfer the data of a loading or unloading operation. The data to be stored are determined in accordance with the application.

The Legic® storage medium used offers a maximum degree of protection from manipulation, data loss and memory errors.

Equipment

The CARDY T2 desk-top reader comes with a data cable for the USB to the PC.

CARDY L 2, CARDY LM2 and CARDY LS2 are specially designed for front-of-panel-mounting or mounting at site. The data communication with the host system takes place via serial interface. CARDY L2 is equipped with a holder for insertion of card. The motorised CARDY LM2 reader is designed for return and/or retention of cards. The CARDY LS2 dispenser holds maximum 100 cards while the CARDY LS2+ holds 500 cards

The chip cards can be equipped with customised labels.

Operating Principle

As soon as a card is in read area, information is read and transferred to the connected PC. Data can be overwritten as many times as desired. All data are protected by a check sum.

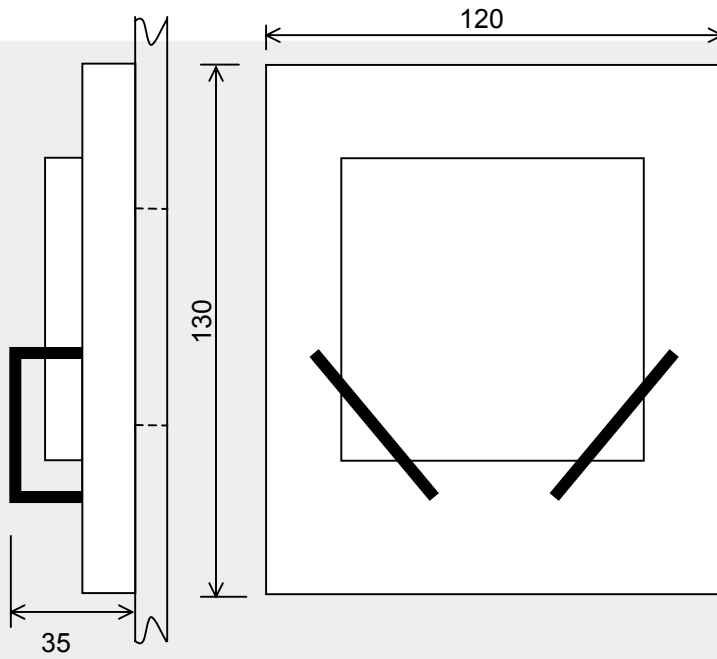
The systems are equipped with card holders in the write/read area.

CARDY LM2 is additionally equipped with motorised feeding/ejecting device with the "Draw In and Read", "Eject" and "Retain" functions.

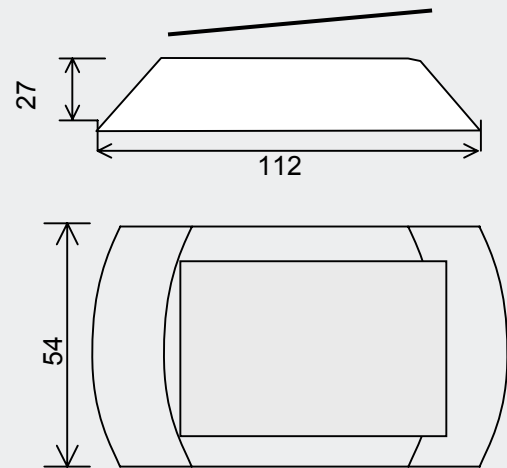
CARDY LS2 dispenses cards, reads and/or writes them. CARDY LS2+ can also collect cards after reading.

Dimensions

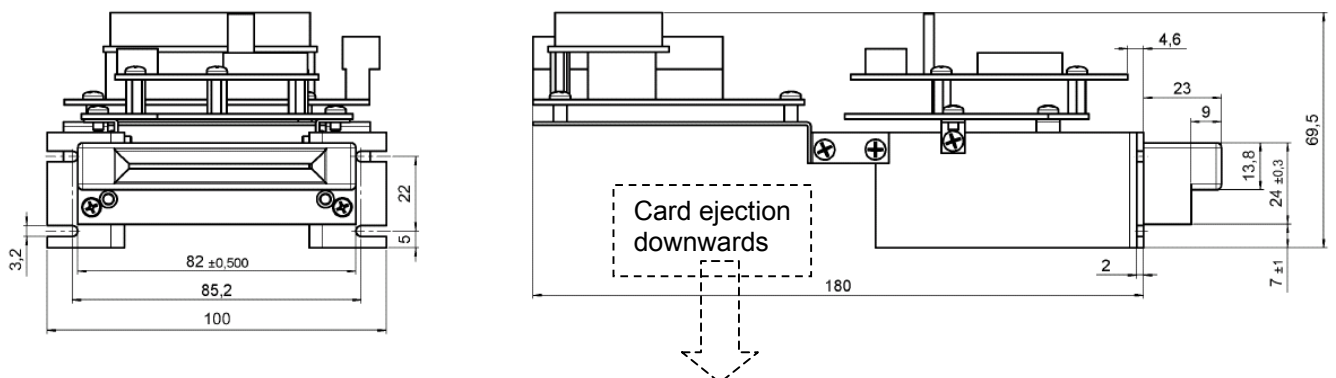
CARDY L2
Panel-Mounting Reader



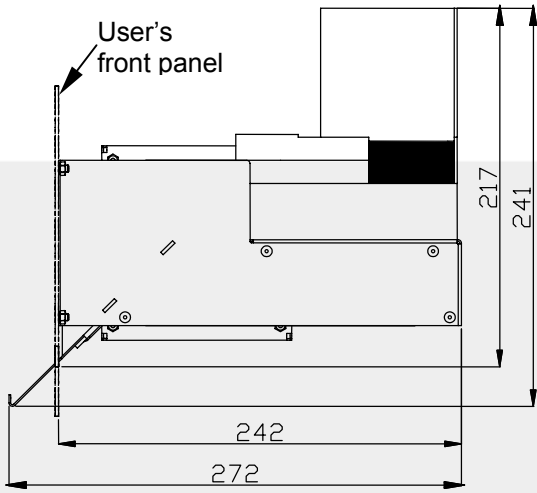
CARDY T2 Desk-top Reader



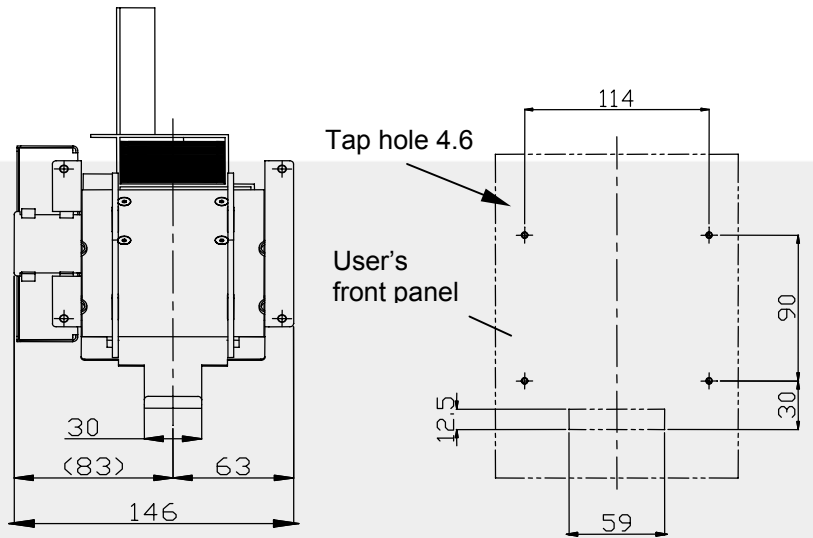
CARDY LM2
Reader with Motorised Infeed



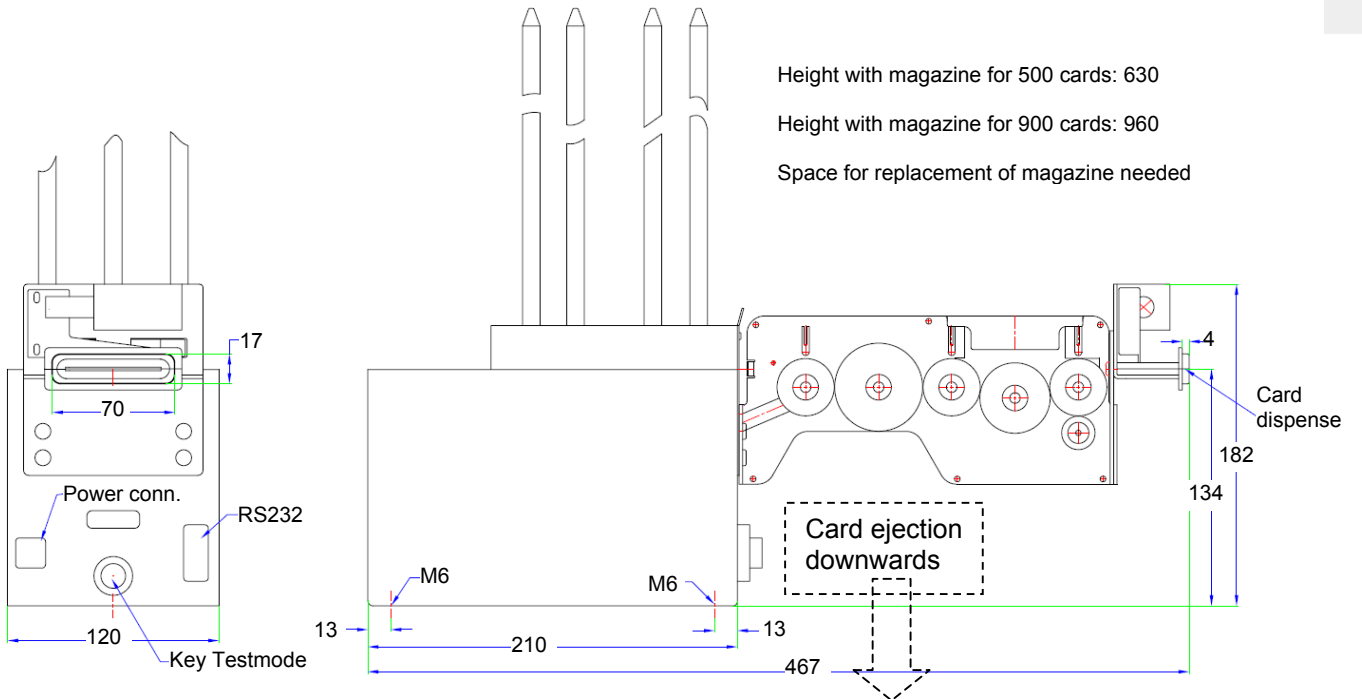
**CARDY LS2
Card Dispenser (100 cards)**



**Front view
without front panel**



**CARDY LS2+
Card Dispenser (500 cards)**



Technical Data

	CARDY L2	CARDY T2	CARDY LM2	CARDY LS2	CARDY LS2
Serial interface	RS 485	USB	RS 485	RS 422	RS 232
Supply voltage	12V (+/-10%)	by USB	12V (+/-10%)	24V uncontrolled (-25% ... +10%)	230 VAC/50Hz
Power consumption	500 mA	210 mA	1 A	1 A	0,1 A
Open collector outputs	15VDC / 50 mA	-	see manual BVH2357	max. 24V/4 mA	-
Operating temperature	-20 ... +50 °C	-25 ... + 60 °C	5 ... +50 °C	-20 ... +50 °C	0...40°C
Storage temperature	-30 ... +80 °C	-30 ... + 70 °C	-25 ... + 65 °C	-30 ... +80 °C	0...70°C
Read/write distance	max. 50 mm	max. 50 mm	-	-	-
Protection class	IP 65 (front) IP 54 (rear)	IP 30	-	IP 54 (with front panel) IP 20 (rear)	
Dimensions (w x h x d) in mm	120 x 130 x 25	112 x 54 x 27	210 x 115 x 80	Dispenser including electronics: 146x241x275, separate LOGO! Control: 71x90x61	120x624x467
Panel cut-out (width x height)	50 x 50 mm	-	82 x 14 mm	as shown in drawing	
Weight	0.4 kg	0.3 kg	1 kg	3 kg	5 kg
Ordering No.	V055167.B01	V055166.B01	V055168.B01	V024488.B01	V064446.B01

Chip cards (dimensions: 85 x 54 x 1 mm) can be supplied with customized print. They must be ordered specific on the job.

Scattered radiation in the range of 13.5 Mhz has the potential to affect proper functioning.

So never use systems in direct proximity of interference sources, e.g. monitors.